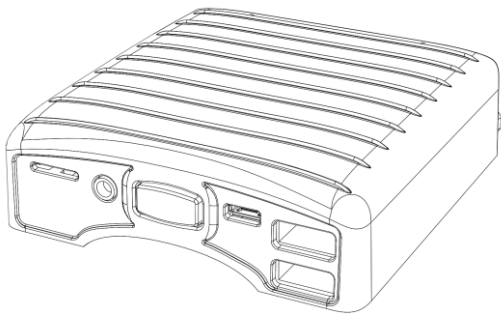


Utilite2

User's Guide



utilite

Contents

Contents.....	2
Package Contents	4
Utilite2 Features.....	5
Utilite2 Overview.....	6
Front View	6
Rear View.....	6
Getting started with Utilite2	7
Connecting a display.....	7
Connecting keyboard and mouse.....	7
Connecting power	7
Turning on the system.....	7
System login	8
Using Utilite2	9

Power button.....	9
Power LED.....	9
Audio	9
Debug console	10
Utilite2 Maintenance.....	11
Opening bottom cover	11
Utilite2 service area.....	12
Micro-USB mux setting.....	12
mSATA socket.....	13
Expansion socket	13
Utilite2 Software.....	14
General	14
System recovery	14

Package Contents

- Utilite2 computer
- 12V DC power supply unit
- Power supply AC blade
- 2x WiFi antenna
- User's guide

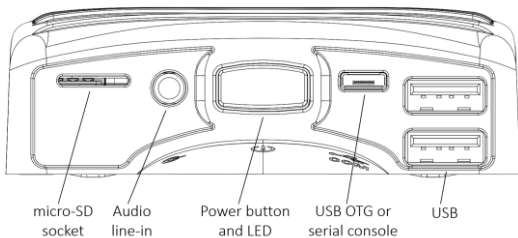
Utilite2 Features

CPU	Qualcomm® Snapdragon™ 600 @1.7GHz
RAM	2GB DDR3
Storage	eMMC 4GB
	32GB SSD (*)
Display	HDMI 1.4 up to 1920 x 1080
LAN	1000 BaseT Ethernet port
WiFi	802.11b/g/n
Bluetooth	Bluetooth 4.0
Audio	Stereo line-out, line-in
USB	Four USB 2.0 480Mbps
	USB OTG
SD	Micro-SD socket, SDXC
Serial	Serial debug console via USB connector
Power	12V DC

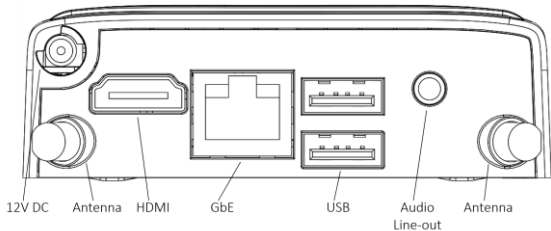
(*) Optional feature. Availability depends on Utilite2 model configuration.

Utilite2 Overview

Front View



Rear View



Getting started with Utilite2

Connecting a display

Connect the display to the Utilite2 HDMI display output using a standard HDMI cable.

Connecting keyboard and mouse

Connect USB mouse and keyboard devices to the Utilite2 USB connectors.

Connecting power

- Insert the AC power-supply blade into the power supply unit.
- Insert the power supply plug into the Utilite2 12V DC power jack. Turn the power plug clock-wise to lock the plug.

Turning on the system

- Plug the power supply unit into an AC outlet.
- Utilite2 will turn on and boot.

System login

Log into the O/S using the following user details:

Username: utilite
Password: 111111

For root access please use the following credentials:

Username: root
Password: 111111

Using Utilite2

Power button

Utilite2 power button controls the system power state. Pressing the button for more than 15 seconds, shuts down the system.

Power LED

Utilite2 power LED indicates the system power state. When the system is active, the LED is green. When the system is shut down, the LED is orange.

Audio

Standard stereo 3.5mm audio cables should be used to connect the Utilite2 analog line-out and line-in with external audio devices.

Debug console

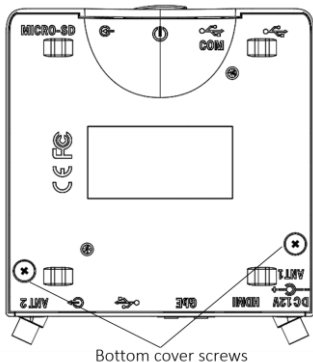
Utilite2 provides an optional debug console interface. The debug console is multiplexed with the USB OTG interface on the front-panel micro-USB connector. The multiplexing setting is controlled by a dedicated, user-accessible jumper. When the jumper is open (default factory setting), USB OTG is routed to the micro-USB connector. When the jumper is closed, the debug console is routed to the connector. To enable debug console mode, please follow the instructions in the “Maintenance” section of this document. The debug console is implemented as a serial-over-USB interface. Connect the Utilite2 micro-USB connector to a host PC USB port with a standard micro-USB cable. The debug interface should be detected as a standard COM port device.

Utilite2 Maintenance

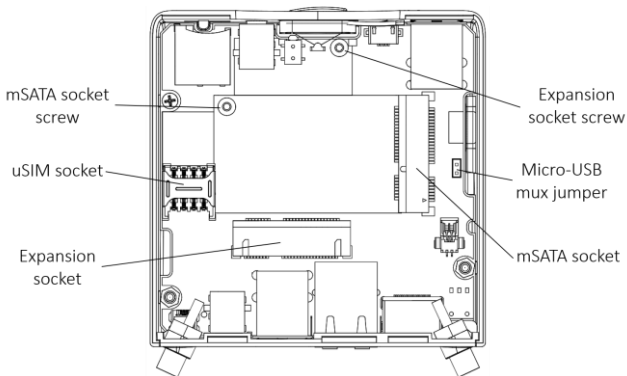
Utilite2 provides user access to micro-USB mux jumper, mSATA socket and expansion socket through a removable bottom cover. Utilite2 requires no maintenance. You should not disassemble Utilite2 other than opening the bottom cover. Disassembling Utilite2 will void its warranty.

Opening bottom cover

- Unscrew the two bottom cover screws shown below.
- The bottom cover is now detached. Lift the rear edge of the cover to remove it completely.



Utilite2 service area



Micro-USB mux setting

The micro-USB multiplexing setting is controlled by the micro-USB mux jumper shown above.

- Remove the jumper to set the micro-USB connector output to USB OTG mode.
- Assemble the jumper to set the micro-USB connector output to debug console mode.

mSATA socket

Utilite2 mSATA socket supports standard mSATA storage cards. This socket does not support mini-PCIe cards.

- Install mSATA storage card into the mSATA socket.
- Secure the card with the mSATA socket screw.

Expansion socket

Utilite2 expansion socket supports USB cellular modem modules in mini-PCIe form-factor. Compatible cellular module is available from CompuLab as a separate cellular kit. The expansion socket does not support mini-PCIe cards.

- Install the modem module into the expansion socket.
- Secure the card with the expansion socket screw.
- Install uSIM card into the uSIM socket.

Utilite2 Software

General

Utilite2 is a flexible and software-open platform supporting a variety of operating systems. For further information and documentation please visit

<http://utilite-computer.com/web/support>

System recovery

In case of firmware or O/S corruption, Utilite2 design allows full system recovery by using a downloadable recovery image and a standard micro-SD card. For recovery instructions please refer to <http://utilite-computer.com/web/support>